

# TAYLO LUX ADVANTAGES



TAYLO LUX



In order to keep an even higher quality level and to propose innovations also in the traditional markets, TMCI Padovan has decided to restyle the vacuum filter production line.

Taylo Lux keeps the well known previous advantages, moreover, the already very performing machine, will benefit of the following modernizations

## TAYLO LUX – SAFETY DEVICE



New reinforced blade protection profile,  
designed to avoid clogging after cake trimming



# TAYLO LUX – PUMPS ONLY FOR MODELS 6 ON



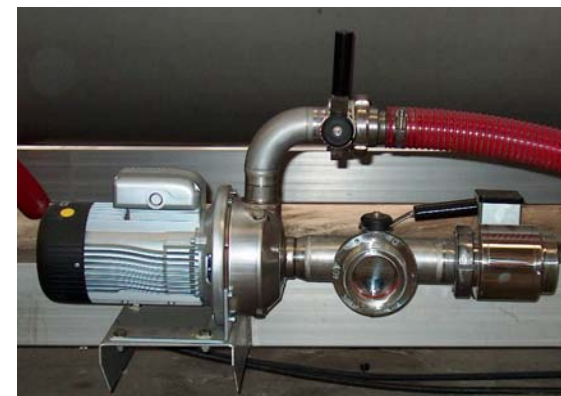
## **Feed self priming pump**

With rubber impeller, complete of inlet pneumatic butterfly valve, all included in the standard price list;



## **Open impeller centrifugal pump**

thus reducing the relative timing necessity  
just dedicated to a fast filter precoating,



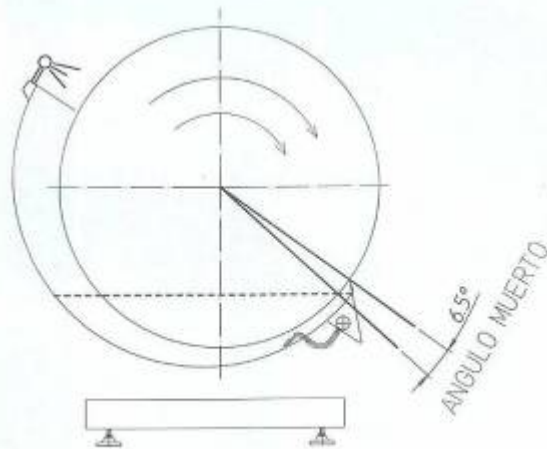
# DEAD ANGLE:

Almost zero dead angle (see picture) It means that all the surface of the drum is useful either for suction all cake drying without unproductive areas. (dead angle)

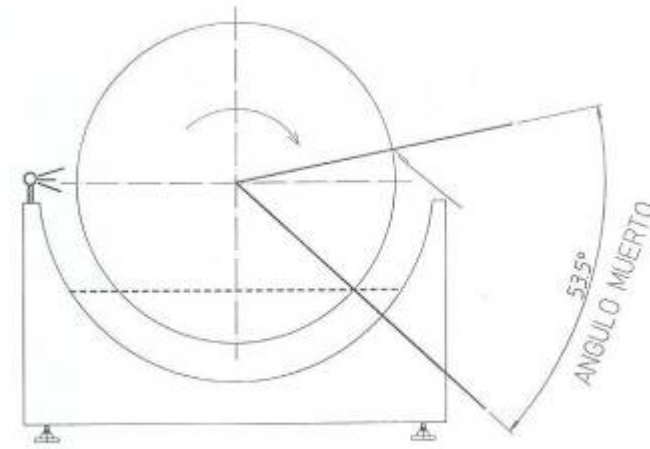


via Dal Vera 13  
31015 Conegliano  
(TV) Italia

TAYLO-LUX (Brevetado)



Competenzia



**Internal pierced distribution channel:** mounted on the through bottom



**Internal pierced distribution channel:** mounted on the through bottom



## TAYLO LUX – PRECOAT TANK



All the tanks have been **increased in volume** and provided with a very efficient **four blade propeller**, to easily mix all the necessary precoating quantity of perlite/de

**ALL THE VERSIONS ARE SUITABLE FOR PERLITE AND D.E WITHOUT ANY ACCESSORY SUPPLEMENT**





# TAYLO LUX – VACUUM TANK



- Increased dimension of vacuum tank, thus permitting to reduce very consistently the foam formation;
- The vacuum tank electrolevel control the extraction pump that now can automatically fill the precoat tank



- Enlarged sight glass to easily inspect the inside of the tank;



# ANTI-FOAMING DEVICE AND VACUUM BREAK VALVE

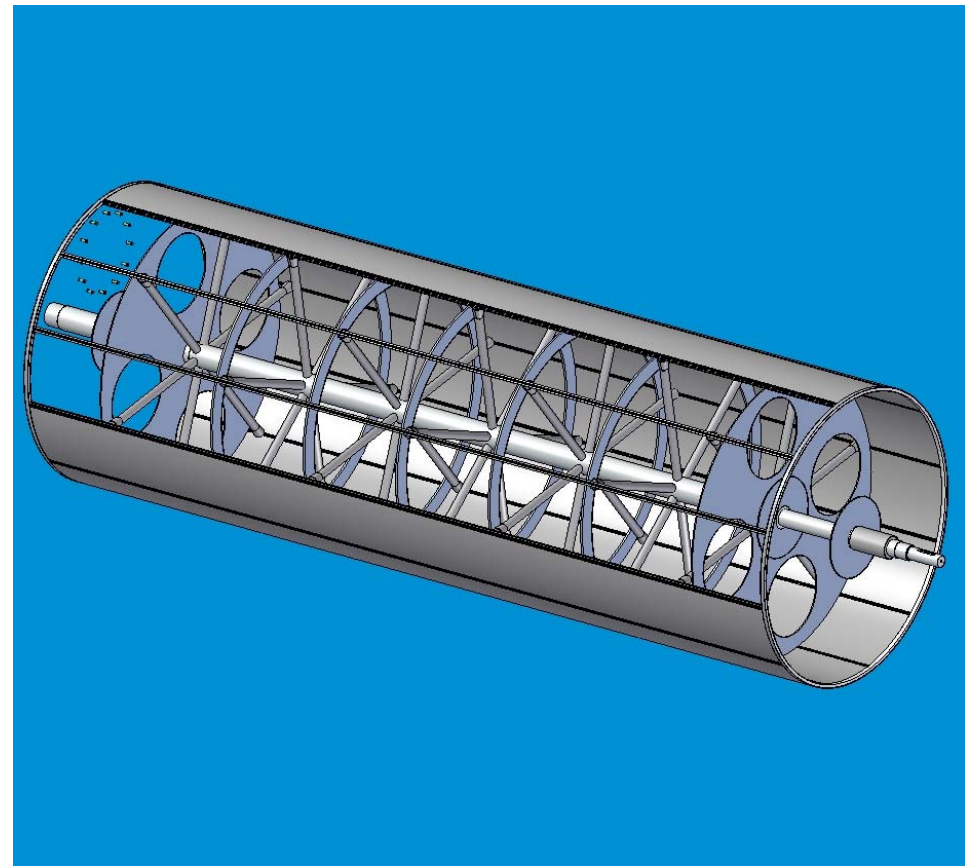
It' is possible to regulate vacuum degree and  
to break down foam with special device



## FILTERING DRUM:



The internal part of the drum consists of a series of pipes welded to the main manifold and to the external manifold. The advantage is the reduction of contact surface between air and product and a more efficient distribution of vacuum. This is also very important from the sanitary point of view. In fact drainage pipes and central manifold can be washed very easily.



## TAYLO LUX – CLEANING ONLY FOR MODELS 10 ON



The extraction pump is connected to the washing manifold in order to assure a perfect screen cleaning independently from the tap water pressure



## TAYLO LUX - UTILITIES



Now only one tap water connection to the network is necessary, and all the filter's operations can take place also in case of reduced water pressure or flow rate.

